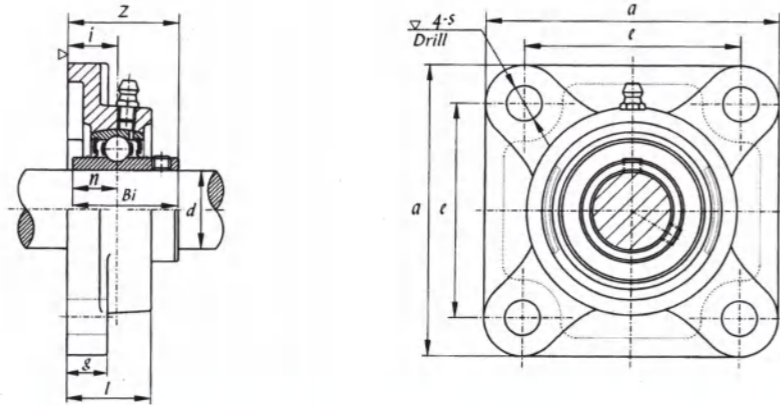


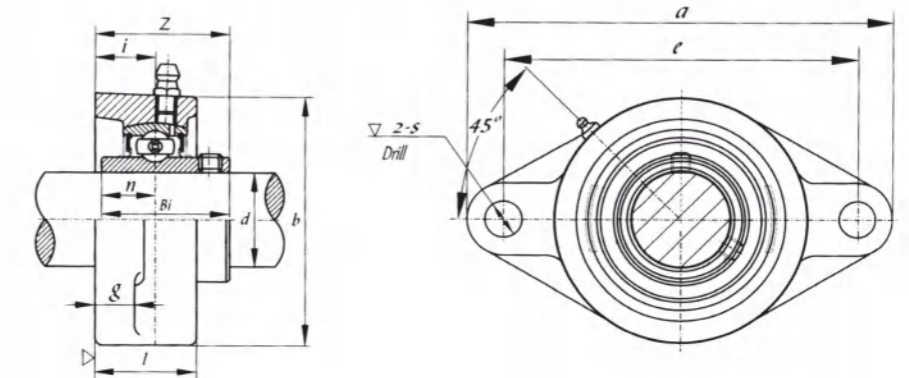
方形座  
Flange Units(Square)

UCF 300 (heavy-duty)



菱形座  
Flange Units (Oval)

UCFL 200 (normal-duty)



带座轴承代号 Bearing Unit No.	轴径 Shaft Dia. d		外形尺寸(毫米) Dimensions (mm)									螺栓 Bolt Used		Bearing No.	Housing No.	重量 Weight (kg)
	(in.)	(mm)	a	e	i	g	l	s	Z	Bi	n	(mm)	(in.)			
UCF305 305-16	1	25	110	80	16	13	29	16	39	38	15	M14	1/2	UC305 305-16	F305	1.20
UCF306-18 306 306-19	1 1/8 1 3/16	30	125	95	18	15	32	16	44	43	17	M14	1/2	UC306-18 306 306-19	F306	1.8
UCF307-20 307-22 307 307-23	1 1/4 1 3/8 1 7/16	35	135	100	20	16	36	19	49	48	19	M16	5/8	UC307-20 307-22 307 307-23	F307	2.20
UCF308-24 308	1 1/2	40	150	112	23	17	40	19	56	52	19	M16	5/8	UC308-24 308	F308	3.0
UCF309-28 309	1 3/4	45	160	125	25	18	44	19	60	57	22	M16	5/8	UC309-28 309	F309	3.8
UCF310-31 310 310-32	1 15/16 2	50	175	132	28	19	48	23	67	61	22	M20	3/4	UC310-31 310 310-32	F310	4.9
UCF311-32 311	2	55	185	140	30	20	52	23	71	66	25	M20	3/4	UC311-32 311	F311	5.6
UCF312 312-36	2 1/4	60	195	150	33	22	56	23	78	71	26	M20	3/4	UC312 312-36	F312	6.8
UCF313-40 313	2 1/2	65	208	166	33	22	58	23	78	75	30	M20	3/4	UC313-40 313	F313	7.8
UCF314-44 314	3/4	70	226	178	36	25	61	25	81	78	33	M22	7/8	UC314-44 314	F314	9.8
UCF315 315-47 315-48	2 15/16 3	75	236	184	39	25	66	25	89	82	32	M22	7/8	UC315 315-47 315-48	F315	11.6
UCF316 316-50	3 1/8	80	250	196	39	27	68	31	91	86	34	M27	1	UC316 316-50	F316	13.2
UCF317		85	260	204	44	27	74	31	100	96	40	M27	1	UC317	F317	15.2
UCF318-56 318	3 1/2	90	280	216	44	30	76	35	100	96	40	M30	1 1/8	UC318-56 318	F318	18.8
UCF319		95	290	228	59	30	94	35	121	103	41	M30	1 1/8	UC319	F319	21.1
UCF320 320-64	4	100	310	242	59	32	94	38	125	108	42	M33	1 1/4	UC320 320-64	F320	25.3
UCF322		110	340	266	60	35	96	41	131	117	46	M36	1 3/8	UC322	F322	35.0
UCF324		120	370	290	65	40	110	41	140	126	51	M36	1 3/8	UC324	F324	47.2
UCF326		130	410	320	65	45	115	41	146	135	54	M36	1 3/8	UC326	F326	64.1
UCF328		140	450	350	75	55	125	41	161	145	59	M36	1 3/8	UC328	F328	90.2

带座轴承代号 Bearing Unit No.	轴径 Shaft Dia. d		外形尺寸(毫米) Dimensions (mm)											螺栓 Bolt Used		Bearing No.	Housing No.	重量 Weight (kg)
	(in.)	(mm)	a	e	i	g	l	s	b	z	Bi	n	(mm)	(in.)				
UCFL201 201-8	1/2	12	113	90	15	11	25.5	12	60	33.3	31.0	12.7	M10	3/8	UC201 201-8	FL201	0.44	
UCFL202 202-10	5/8	15	113	90	15	11	25.5	12	60	33.3	31.0	12.7	M10	3/8	UC202 202-10	FL202	0.42	
UCFL203 203-11	11/16	17	113	90	15	11	25.5	12	60	33.3	31.0	12.7	M10	3/8	UC203 203-11	FL203	0.41	
UCFL204-12 204	3/4	20	113	90	15	11	25.5	12	60	33.3	31.0	12.7	M10	3/8	UC204-12 204	FL204	0.39	
UCFL205-14 205-15 205 205-16	7/8 15/16 1	25	130	99	16	13	27	16	68	35.7	34.1	14.3	M14	1/2	UC205-14 205-15 205 205-16	FL205	0.57	
UCFL206-18 206 206-19 206-20	1 1/8 1 3/16 1 1/4	30	148	117	18	13	31	16	80	40.2	38.1	15.9	M14	1/2	UC206-18 206 206-19 206-20	FL206	0.76	
UCFL207-20 207-21 207-22 207 207-23	1 1/4 1 5/16 1 3/8 1 7/16	35	161	130	19	14	34	16	90	44.4	42.9	17.5	M14	1/2	UC207-20 207-21 207-22 207 207-23	FL207	1.05	
UCFL208-24 208-25 208	1 1/2 1 9/16	40	175	144	21	14	36	16	100	51.2	49.2	19.0	M14	1/2	UC208-24 208-25 208	FL208	1.34	
UCFL209-26 209-27 209-28 209	1 5/8 1 11/16 1 3/4	45	188	148	22	15	38	19	108	52.2	49.2	19.0	M16	5/8	UC209-26 209-27 209-28 209	FL209	1.70	
UCFL210-30 210-31 210 210-32	1 7/8 1 15/16 2	50	197	157	22	15	40	19	115	54.6	51.6	19.0	M16	5/8	UC210-30 210-31 210 210-32	FL210	1.92	
UCFL211-32 211-34 211 211-35	2 2 1/8 2 3/16	55	224	184	25	18	43	19	130	58.4	55.6	22.2	M16	5/8	UC211-32 211-34 211 211-35	FL211	2.73	
UCFL212-36 212 212-38 212-39	2 1/4 2 3/8 2 7/16	60	250	202	29	18	48	23	140	68.7	65.1	25.4	M20	3/4	UC212-36 212 212-38 212-39	FL212	3.56	
UCFL213-40 213	2 1/2	65	258	210	30	20	50	23	155	69.7	65.1	25.4	M20	3/4	UC213-40 213	FL213	4.37	
UCFL214-44 214	2 3/4	70	265	216	31	20	54	23	160	75.4	74.6	30.2	M20	3/4	UC214-44 214	FL214	4.95	
UCFL215 215-48	3	75	275	225	34	20	56	23	165	78.5	77.8	33.3	M20	3/4	UC215 215-48	FL215	5.18	
UCFL216 216-50	3 1/8	80	290	233	34	20	58	25	180	83.3	82.6	33.3	M20	3/4	UC216 216-50	FL216	6.36	
UCFL217-52 217	3 1/4	85	305	248	36	22	63	25	190	87.6	85.7	34.1	M20	3/4	UC217-52 217	FL217	7.68	
UCFL218-56 218	3 1/2	90	320	265	40	23	68	25	205	96.3	96	39.7	M20	3/4	UC218-56 218	FL218	9.54	